

# 30 METER (10MHz) CW TRANSMITTER

**Ramsey Electronics Model No.**

**QRP30**

*THE RAMSEY QRP30 IS AN AMAZING PERFORMER THAT WILL WORK THE WORLD ON ABOUT A WATT! FOLKS OF ALL AGES HAVE SUCCESSFULLY BUILT AND ENJOYED THIS EASY, FUN KIT.*

- **Ideal for portable or travel fun**
- **VCXO design allows up to 5 - 8 KHz of tuning about the crystal frequency**
- **Front panel switching of TWO channels and includes a crystal for 10.108 MHz, the International QRP frequency**
- **Excellent and clean keying waveform**
- **Built-in antenna T-R switch**
- **Operates on 12 - 15 volts DC at 1/4 amp current**
- **Approximately 1 Watt RF power**
- **Clear, concise step-by-step instructions carefully guide you to a finished kit that not only works - but you'll also learn too!**
- **Proven design that has won many of awards for operators around the country!**
- **Add our case and knob set for a finished 'Pro' look. Cases match all Ramsey products**



### RAMSEY TRANSMITTER KITS

- FM100B Professional FM Stereo Transmitter
- FM25B Synthesized Stereo Transmitter
- AM1, AM25 AM Transmitters
- TV6 Television Transmitter

### RAMSEY RECEIVER KITS

- FR1 FM Broadcast Receiver
- AR1 Aircraft Band Receiver
- SR2 Shortwave Receiver
- AA7 Active Antenna
- SC1 Shortwave Converter

### RAMSEY HOBBY KITS

- SG7 Personal Speed Radar
- SS70A Speech Scrambler
- SP1 Speakerphone
- WCT20 Wizard Cable Tracer
- PH10 Peak hold Meter
- LC1 Inductance-Capacitance Meter



### RAMSEY AMATEUR RADIO KITS

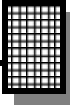
- DDF1 Doppler Direction Finder
- HR Series HF All Mode Receivers
- QRP Series HF CW Transmitters
- CW7 CW Keyer
- CPO3 Code Practice Oscillator
- QRP Power Amplifiers

### RAMSEY MINI-KITS

Many other kits are available for hobby, school, Scouts and just plain FUN. New kits are always under development. Write or call for our free Ramsey catalog.

30 METER CW TRANSMITTER KIT INSTRUCTION MANUAL  
Ramsey Electronics publication No. QRP30 Revision 1.3  
First printing: January 1995

COPYRIGHT 1994 by Ramsey Electronics, Inc. 590 Fishers Station Drive, Victor, New York 14564. All rights reserved. No portion of this publication may be copied or duplicated without the written permission of Ramsey Electronics, Inc. Printed in the United States of America.



---

## KIT ASSEMBLY AND INSTRUCTION MANUAL FOR

# QRP30 30 METER CW TRANSMITTER KIT

### TABLE OF CONTENTS

Introduction to the QRP30 .....	4
Understanding power levels.....	5
Circuit description .....	8
Simplified Block diagram.....	8
Parts list .....	9
Schematic Diagram.....	10
Parts layout diagram .....	11
Assembly instructions .....	12
Crystal oscillator testing .....	16
Initial tests .....	17
Verifying RF power .....	18
Maximizing RF power output .....	19
Options for finishing project .....	20
Enclosure ideas .....	20
Choosing crystals.....	21
Troubleshooting guide .....	22
Ramsey kit warranty .....	23



### RAMSEY ELECTRONICS, INC.

590 Fishers Station Drive  
Victor, New York 14564  
Phone (585) 924-4560  
Fax (585) 924-4555  
[www.ramseykits.com](http://www.ramseykits.com)

## INTRODUCTION:

Most "QRP" transmitters are one-of-a-kind experimental circuits which take some patience and fine-tuning to get clean keying and satisfactory performance. Most QRP building projects presume either unlimited radio junkboxes with all the right coils and capacitors, or that you have a lot of time on your hands to track down needed parts. And that is part of what ham radio can be all about. The purpose of the Ramsey Electronics series of QRP transmitters is to give our amateur radio customers the option of picking up a truly complete and reliable transmitter kit for whenever you need a compact CW rig for a particular opportunity, perhaps a camping or business trip or a weekend contest, or something economical to share with a favorite new Novice.

This transmitter is a serious and practical device for radio amateurs with general interests, as well as for QRP enthusiasts.

NOTE TO NEWCOMERS: "QRP" is amateur radio shorthand referring to operation at "reduced power". As a standard "QRP30-signal", the CW expression "QRP?" really means all of this: "If you are receiving me so well, and since the FCC requires that we use minimum power necessary to maintain useful communication, do you think I should reduce transmitting power?" The act of reducing power output can be the switching off of a linear power amplifier, or switching from 25 to 5 watts on your new Radio Shack 10 meter rig or turning back the carrier level control on most modern transceivers. For equipment description and contest competition purposes, "QRP" refers to transmitter powers under 5 watts.

In our manuals for the Ramsey Amateur Band receivers for the 80 and 40 meter bands, which tend to be of interest to many beginners because of available Novice and Technician operating privileges, we try to be very basic and patient, hoping that such an approach will be helpful to radio newcomers - as well as to casual, licensed amateurs who just did not know that worthwhile radio gear could be constructed at Ramsey's low prices, even in the 1990's.

Talking through a transmitter project presents a different challenge. Talking through a multi-stage transmitter that delivers a grand total of one or two watts to your antenna is an even greater challenge. In these times when a "barefoot rig" is assumed to be an imported, digitally-synthesized transceiver putting out over 100 watts at a cost of \$1000-2000.00, we need a sensible and helpful way of talking about this QRP transmitter you are about to construct.

It's easy to prove that Ramsey's popular and economical receivers work just fine. Build one right, turn it on, and we become easily convinced. A transmitter is a different story, especially a transmitter that runs low QRP

power! Different from a receiver, you want to see some measurable output power and you especially want to make two-way contacts!

If you're studying this manual before deciding to try this Ramsey "QRP" transmitter project, perhaps the following discussion will be helpful to you. The purpose of this manual is to help you construct this Ramsey Electronics 4-stage, variable-frequency CW transmitter efficiently and successfully, not necessarily to "sell" you on the merits and fun that have been discovered in ham QRP operation. The purpose of the following discussion of power levels and signal reports is simply to assure you that your new Ramsey QRP transmitter is capable of serious, long-distance communication.

## **1000 WATTS vs 1 WATT: UNDERSTANDING THE DIFFERENCE**

Before we move on, I would like to share with you a practical formula about transmitter power that I clung to in my younger years when I could not afford anything other than my original Novice CW transmitter, even well after I got my Extra Class license. First, some theoretical facts we should know:

- 1. An "S-unit" on a receiver's S-meter or in the R-S-T system consists of a 6 - decibel increase or decrease of output power received from a transmitter.
- 2. Power needs to be increased four times or 400% to result in a true 1 S-unit or 6db RST gain.
- 3. Reducing output power down to 25% of previous power should result in an S- Meter or RST drop of only one 6-db unit.
- 4. A 10 - decibel increase in signal strength requires a power increase of ten times!

Next, there are three practical facts to remember:

- 1. The R-S-T system was designed originally for the human ear and was based on typical receiver performance of over 50 years ago.
- 2. Modern receiver design permits signals which are technically "weak" in measured decibels to sound quite good (ie: 569-579) to the ear.
- 3. The human ear is sensitive enough to appreciate a 1 or 2 db change in signal strength, which is why moderate changes in output power often result in more dramatic signal report changes. (In fact, the value of a decibel was determined to be that increment of sound change which the ear could detect!)

The following example shows RST reports to be expected, in exact theory, at various power reduction levels. We will start with the classic 1000 watt station

which gets a report of "10 db. over S-9" measured on the receiving station's S-meter. Assume identical dipole antennas at both stations. Our chart does not start at the proverbial "30 db. over S-9" and work itself down to S-1 for reasons that will become obvious.

S9+10 db.	1000 watts output
S9	100 watts output
S8	25 watts output
S7	6.25 watts output
S6	1.56 watts output
S5	.39 watts output

We can see that it becomes easy to play games with such numbers. For example, an RST of 439 is a legitimate report which permits reasonably effective communication. But, do we believe that the transmitting station illustrated above could really produce a 439 signal by running .0013 watt? If we say "probably not", we also ask why not, and then we would get the seminars about perfect antenna matching, transmission line losses, and so forth.

Under good propagation conditions, SSB signal reports of "20 over S-9" and more can be given without even needing 1000 watts or a beam antenna. Assuming the "+20" is an accurate report, consider this example of power reduction over the same path:

S9+20db.	1000 watts
S9+10db.	100 watts
S9	10 watts
S8	2.5 watts
S7	.625 watts
S6	.156 watt
S5	.039 watt
S4	.0087 watt!

Under reasonably good band conditions, particularly at 10 or 14 MHz and on up, the above correlation of signal reports to power output becomes realistic. "S9+20" is what amplifier users expect to give and receive to justify their investment and power consumption. Most commercial transceivers have typical output in the 60-200 watt range, and S8-9 reports are taken for granted. Actually, 15-25 watts is a far more practical operating power than most amateurs and equipment vendors realize today...and the thousands of QRP enthusiasts will confirm that getting a solid 579 running 3-4 watts is no big deal.

If all the above theoretical signal reports are based on both the transmitting and receiving stations using simple dipole antennas, we can also see that the

use of some 10db gain antenna such as a beam or quad by either station could move the S7 for .625 watt up to S8, and that a similar antenna used at the other station could give the under 1 watt signal a further boost over S9!

On the other hand, if you hear a 1000 watt station producing a moderate signal such as S4 or S5, you can reasonably assume that you will not have a lot of luck over that path right now with the theoretical S1 signal level of your QRP transmitter.

While these figures also can be used to show how nice it is to have a power amplifier and beam antenna, they indeed serve to show that reasonable signal levels indeed are achievable with low power and a dipole antenna.

"QRP" enthusiasts have their own rituals, jargon, strategies, QRP operating contests, magazine columns and books, and convention get-togethers. They constitute a vital segment of the amateur radio community, because they consistently demonstrate the feasibility of low-power communication. In fact, the most avid QRP enthusiasts would not regard communication with a Ramsey transmitter especially challenging, since they prefer the new world of milliwatt operation, known as "QRPP"! And, yes, the ones who have conquered the "milliwatt" world ARE setting records with "milliwatt" tests. With the world record set in 1970 between Alaska and Oregon on ONE microwatt, think about it this way: your Ramsey QRP transmitter is almost one million times more powerful than the transmitter used in that historic test!

## **WHO SHOULD USE A "QRP" TRANSMITTER?**

There is a philosophy that "Novices" should not get started with a very low power transmitter. The reasoning is that most newly-licensed amateurs need to build up the confidence that comes with actually making contacts and that they do not need the additional challenge and pressure of low-power operation. There is some wisdom in this view, but that opinion should not make newcomers apprehensive about trying a Ramsey QRP transmitter, IF:

1. This is where your budget is.
2. You can count on somebody to help you with assembly.
3. You can count on somebody to listen to your signal during initial tests.
4. You have a reasonably good receiver.
5. You have space for a normal, no-compromise antenna for the band you wish to operate, either a standard dipole, or the "inverted V" dipole, or quarter-wave vertical.

## CIRCUIT DESCRIPTION:

In brief, Q1 is a crystal oscillator, amplified by buffer stage Q2, which drives Q3 as the RF output amplifier. Q4 is a PNP keying circuit which opens and closes the 12VDC supply line to Q1 and the T-R circuitry of D1 and D2.

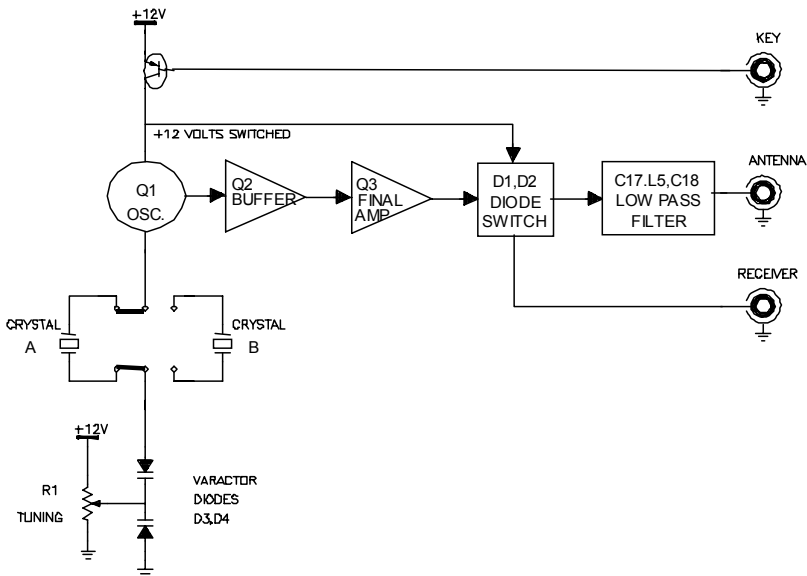
S1 selects either of two crystals. R1,D3,D4 and L1 form a varactor controlled series resonant circuit with the crystal. Adjusting R1 permits a crystal frequency swing of up to 5 KHz, about the crystal frequency.

Q3 is a Class C RF amplifier that amplifies the RF output of Q2 to the final RF power output level.

L6,C17 and C18 form a low pass filter (Butterworth) to match the output of Q3 to the antenna and reduce harmonics to acceptable levels as specified by the FCC.

When the keying line is closed, Q4 conducts +12VDC to the oscillator stage, applies a positive bias to the base of Q2 through R8, and +12VDC through choke L4 to the anode of D1, which permits RF to pass through D1 to the filter network while applying negative bias to D2 which blocks RF from passing to the receiver. When the keying line is open, the +12VDC applied to D2 through R13 permits D2 to conduct from the antenna jack to the receiver jack. The buffer and amplifier stages are not keyed, resulting in clean keying, free of chirps and clicks.

## BLOCK DIAGRAM:





## PARTS SUPPLIED WITH QRP30 TRANSMITTER KIT:

### CAPACITORS:

- 2 47 pf capacitor (C2,C6)
- 1 220 pf capacitor (marked 220 or 221) (C17)
- 2 470 pf capacitor (marked 470 or 471) (C3,C18)
- 11 .01 uf capacitors (marked .01 or 103 or 10 nf)(C1,4,5,7,8,9,10,13,14,15,19)
- 1 100 to 220 uf electrolytic capacitor (C16)

### INDUCTORS:

- 3 100 uh inductor [looks like a resistor with brown-black-brown-silver or gold bands] (L2,L4,L5)
- 1 2.2 uh inductor (green body with: red-red-gold-black color bands) (L1)
- 2 1.0 uh inductor (brown form with wire wrapped around body) (L3,L6)

### RESISTORS:

- 3 100 ohms [brown-black-brown] (R7,R9,R11)
- 1 270 ohms [red-violet-brown] (R10)
- 1 470 ohms [yellow-violet-brown] (R6)
- 2 1K ohms [brown-black-red] (R12,13)
- 4 10K ohms [brown-black-orange] (R4,5,14,15)
- 1 47K ohms [yellow-violet-orange] (R8)
- 2 1 megohm [brown-black-green] (R2,3)
- 1 10K potentiometer (R1)

### SEMICONDUCTORS:

- 1 2N3904 NPN transistor (Q1)
- 2 2N3053 NPN transistor (Q3,Q2)
- 1 PNP transistor (Q4) (marked 221-334 or ITT200) (similar to 2N3906)
- 1 1N4148 diode (small glass diode)
- 1 1N4002 diode (larger epoxy diode)
- 2 varactor diodes in TO-92 style case (D3,D4)

### HARDWARE, OTHER COMPONENTS, MISC.:

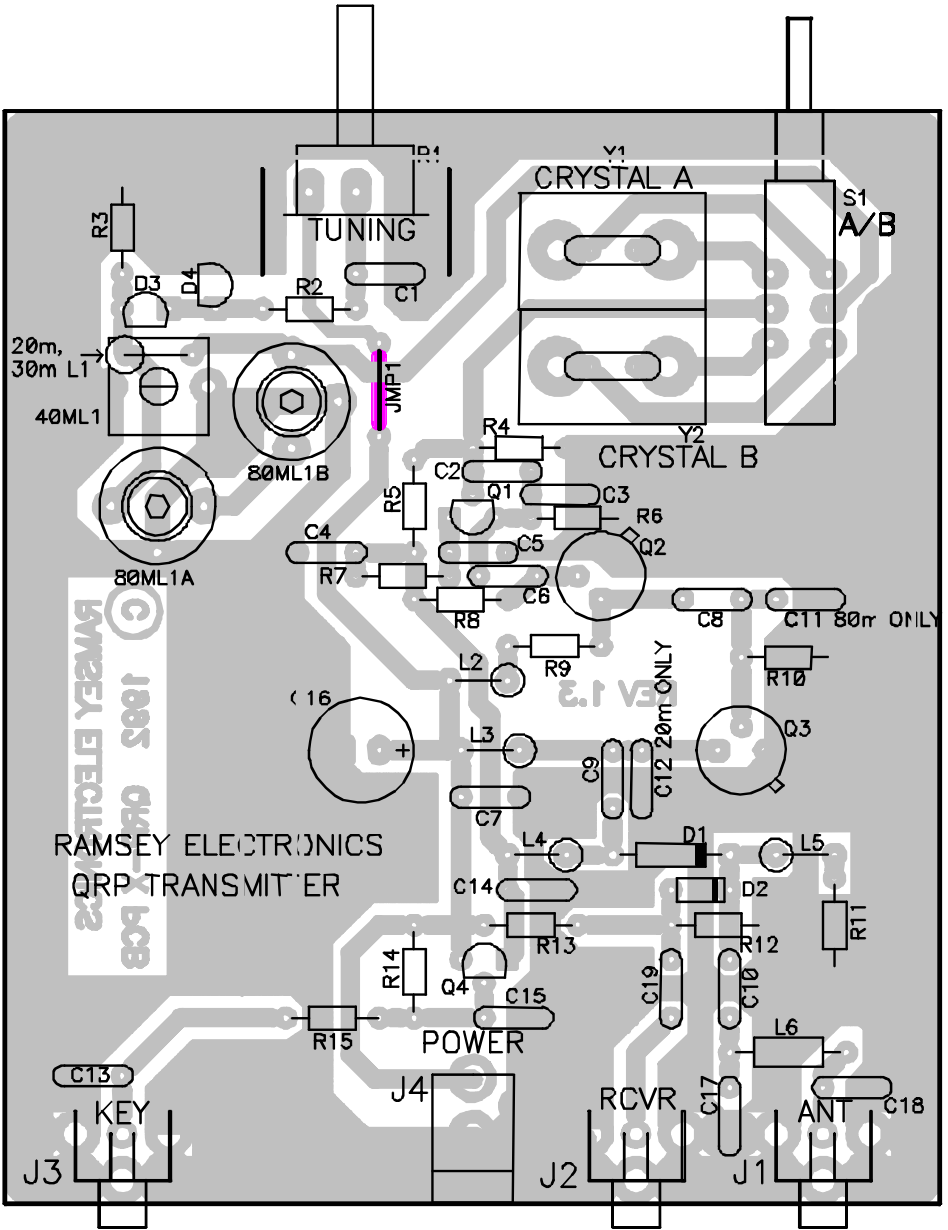
- 1 Crystal "A" (10.108 MHz)
- 1 QRPTX printed circuit board
- 1 heatsink for Q3
- 3 RCA-style jacks (J1,2,3)
- 1 DC power jack (J4)
- 1 pushbutton switch (S1)

### REQUIRED, NOT SUPPLIED:

- 12-14 volt 500 ma DC power source
- Key, keyer or computer interface terminated to RCA plug
- RF output indicator (see text)
- 10 MHz antenna and/or 50 ohm dummy load



**QRP30 PARTS LAYOUT DIAGRAM:**



## **LEARN-AS-YOU-BUILD" TRANSMITTER ASSEMBLY STRATEGY:**

As you can see in examining the circuit board and components, there is a bit more to this transmitter kit than soldering a few parts and putting a signal on the air. So that you don't spend extra time "troubleshooting" instead of getting on the air, we strongly recommend you follow the assembly strategy and step-by-step procedures we are providing.

Our strategy in installing parts on our PC board is to install the larger and more obvious parts such as the connectors and controls. These parts will then act as "landmarks" so that each additional device installed is seen in relationship to them, or to others previously installed.

In addition, we'll discuss the purpose of most of the components or groups of components as we go along. If you are new to the idea of building your own transmitter, perhaps our explanations will help you understand and learn as we go along. The assembly sequence will follow the circuit flow from key jack to antenna as faithfully as is practical, as part of Ramsey's "Learn-As-You-Build" kit assembly philosophy.

However, we do assume that anyone ready to construct an amateur radio transmitter has also developed some familiarity with general electronics practices and language. Therefore, you can expect the following procedures to move along with less of the hand-holding which we offer for our receivers and other kit projects in which the FCC has less interest!

### **FIRST ASSEMBLY STEPS:**

To get started and to put some landmarks on the circuit board, we'll insert and install the 3 RCA "phono jacks", the DC power connector, the VCXO crystal selector switch, and the VXO frequency control. With these parts in place, the relative positioning of further components will become easier to recognize. Refer frequently to your parts layout diagram.

The three RCA jacks, the DC power connector and crystal switch are all "press- in-'til-flush" in design. On all three of the RCA jacks, the three large tabs are soldered to the ground plane of the circuit board, while the thin tab is for the center conductor. (Be sure these thin tabs make it into each of their respective circuit board holes!) The crystal switch has a bottom with six circuit board pins and a top with six corresponding tabs for other kinds of solder connections. Press the pin side of the switch into place as far as it will go. Press J4 into its position as far as it will go.

- 1. Insert and solder J1 (antenna connector)
- 2. Insert and solder J2 (receiver connector)
- 3. Insert and solder J3 (key, keyer or computer interface)

- 4. Insert and solder J4 (DC power +12 to 14 volts)
- 5. Insert and solder R1, the 10K tuning potentiometer.
- 6. Insert and solder S1, pushbutton switch.

Carefully select, insert and solder the following components in the order given in the following steps. Check off each step as completed.

- 7. C16, 100 to 220 uf electrolytic. Electrolytic capacitors are polarized, which means there is a right and a wrong way to install them! Generally, the Negative ( - ) side is indicated on the capacitor, while the Positive ( + ) is shown on the PC board. Make sure that the capacitor is inserted correctly into the PC board with the ( + ) lead into the ( + ) hole and the ( - ) lead into the ( - ) hole.
- 8. R11, 100 ohm (brown-black-brown).
- 9. C19, .01 uf (marked .01 or 103 or 10 nf).
- 10. D2, 1N4148 diode. This diode is the small glass bead type. For correct polarity, the dark band must face as shown on the parts layout diagram.
- 11. C10, .01 uf (marked .01 or 103 or 10 nf).

The preceding parts comprise much of the circuitry which blocks RF from the receiver during transmission and permits the antenna to be connected to the receiver jack during "key-up" conditions. To further complete this section of the circuit, we now install the first of three 100 uh RF chokes. They look like resistors with brown-black-brown-silver (or gold) bands. In the following steps, be sure to save the clipped-off component lead wires from R12 and R13. These will be used for "jumpers" in later steps.

- 12. Install L5, 100 uh inductor. (brown-black-brown-silver)
- 13. Install R12, 1K resistor (brown-black-red).
- 14. Install R13, 1K resistor (brown-black-red).
- 15. Using a scrap component lead wire, install Jumper JMP1. Jumper wires simply connect two PC board traces together, jumping over other traces!
- 16. Install R8, 47K (yellow-violet-orange).
- 17. Install C7, .01uf (marked .01 or 103 or 10nf)

Next study the orientation of Q4, the keying transistor. Be careful in identifying Q4. Q4 is the only PNP device, and its part number or case style may vary slightly. If necessary, positively identify Q1, the 2N3904 oscillator transistor, and set it aside for later, since Q4 is similar or identical in style. Proceed with the following steps, in order, once you are positive you have selected Q4 as the 221-334 PNP transistor.

- 18. Install R15, 10K ohms (brown-black-orange).
- 19. Install C13, .01 uf (marked .01 or 103 or 10 nf).
- 20. Install R14, 10K ohms (brown-black-orange).
- 21. Install Q4, be sure to orient its flat side correctly as shown.
- 22. Install C15, .01 uf (marked .01 or 103 or 10 nf).

So far, here's what we've accomplished. First, we've got over a third of all the parts soldered onto the board, which should make you happy, and you should be used to locating the correct component holes with increasing ease by seeing them in relation to previously installed components. Secondly, the keying circuit is completed and would be usable, if there was something to key.

From here, we could proceed one of two ways. It would be quite easy to start filling in the holes around the antenna jack, and the project could be done in perhaps another hour. We'd like to suggest a better approach, which is to build up the VXO stage (variable-crystal-oscillator) around Q1 and test it before finishing the rest of the transmitter.

### **BUILDING THE VXO (VARIABLE CRYSTAL OSCILLATOR):**

Your QRP transmitter comes complete with one crystal in the CW range, usually the suggested QRP international calling frequency. S1 permits your choice of any two installed crystals, the one that comes with your kit and another which you may add on your own. If you plan to add a socket for your own crystal, it should be wired to the "A" crystal position.

The PC board used in your kit is common to all the QRP transmitters in the Ramsey Kit line. This means that there are some component locations on the PC board that may not be used on your kit. Please be aware of this and install your parts carefully. The parts layout diagram is quite clear regarding this. (The reason for these holes is that different frequency bands require various styles of inductors and capacitors for correct VXO frequency and shift).

Now, since we have gone to all this explaining, let's install some more parts!

- 23. Install L1, 2.2 uh inductor (green body with two red bands).
- 24. Install C1, .01 uf (marked .01 or 103 or 10 nf).
- 25. Install R2, 1 megohm (brown-black-green).
- 26. Install Varactor diode D3, observe correct placement of the flat side. (Varactor diodes act as a variable capacitor whose capacity is varied by the voltage applied across it).
- 27. Install varactor diode D4, observe flat side placement.

- ❑ 28. Install R3, 1 megohm (brown-black-green).
- ❑ 29. Install R4, 10K (brown-black-orange).
- ❑ 30. Install C2, 47 pf.
- ❑ 31. Install C3, 470 pf (marked 470 or 471).
- ❑ 32. Install R6, 470 ohms (yellow-violet-brown).

With the above components installed correctly, the three holes for Q1 should be clearly apparent. Make sure Q1 is correctly identified as a 2N3904.

- ❑ 33. Install Q1, 2N3904. Orient its flat side correctly.
- ❑ 34. Install C5, .01 uf
- ❑ 35. Install R7, 100 ohms (brown-black-brown).
- ❑ 36. Install C4, .01 (marked .01 or 103 or 10 nf).
- ❑ 37. Install R5, 10K ohms (brown-black-orange).
- ❑ 38. Install C6, 47 pf.

It's time to decide which crystal(s) are to be installed in which position and to install at least one of them for testing. Notice that there are two pairs of holes for each crystal connection, so that you can install virtually any standard crystal case style.

### *HALFTIME SUGGESTION*

It won't be too much longer before your Ramsey transmitter is ready for testing and on-the-air operation. It is common for experimental projects to give disappointing results because of inefficient "haywire" hookups as soon as they are completed. This is most especially true with low power transmitters! To try out this transmitter, you will need the following, and we'll offer suggestions about each of them:

- ◇ A healthy and CLEAN source of 12-14 volts DC, connected with **CORRECT POLARITY**. A power supply or battery capable of 500 mA is required.
- ◇ A receiver capable of CW reception on the same band as this transmitter, with a coaxial antenna line terminated in a plug or adapter to mate with the receiver jack on this transmitter.
- ◇ A resonant antenna with a 50 ohm coaxial feedline such as RG58, terminated in a plug or adapter to mate with the RCA antenna jack on this transmitter.
- ◇ A CW key, keyer or computer interface connected to a cable terminated in a plug or adapter to mate with the RCA key jack on this transmitter. It is preferable but perhaps not essential that this cable be shielded.

- ◇ A valid FCC Amateur Radio License.
- ◇ Some method of verifying satisfactory RF output. We will give you several of these in detail in the "Verifying Transmitter RF power Output" section on page 18. Feel free to read ahead before picking up the soldering iron again.

### **CRYSTAL OSCILLATOR TESTING:**

- ◇ Connect a key, keyer or momentary switch to J3.
- ◇ Connect +12VDC to power connector J4. Note that the CENTER connection is the positive (+) side.
- ◇ Tune a nearby receiver to the anticipated crystal frequency.
- ◇ Make sure that S1 is set to the correct crystal position.

Keying J3 should result in a crisp, clean oscillator signal in your receiver. Adjusting the R1 tuning control should vary the crystal frequency up to 5 KHz.

If you have installed a second crystal, test it in the same manner. Also, you will notice that the VXO circuit usually swings the frequency down, a fact to remember if you order additional crystals.

*NOTE TO NEWCOMERS:* Please be aware that even this one transistor oscillator is itself a transmitting device, quite capable in good propagation conditions of emitting an RF signal and HARMONICS, when and if connected to an antenna. It is correct practice to keep your test brief and to identify them with your callsign.

### **FURTHER ASSEMBLY:**

The following three steps connect a simple low-pass filter to the antenna jack. The low-pass filter prevents harmonics from the transmitter from reaching the antenna.

- ❑ 39. Install C18, 470 pf (marked 470 or 471).
- ❑ 40. Install inductor L6, 1 uh (brown bodied with wire wrapped around it).
- ❑ 41. Install C17, 220 pf (marked 220 or 221).

### **BUFFER AND RF AMPLIFIER WIRING:**

- ❑ 42. Install C8, .01 uf (marked .01 or 103 or 10 nf).
- ❑ 43 Install Q2, marked 2N3053. Observe the case of transistor Q3. The small metal case tab must be oriented correctly! Please be careful.
- ❑ 44. Install R9, 100 ohms (brown-black-brown).
- ❑ 45. Install L2, 100 uh (brown-black-brown-silver).



The buffer stage is now completed and connected to the base of the power amplifier stage, Q3.

- 46. Install R10, 270 ohms (red-violet-brown).
- 47. Install L3, 1 uh inductor (brown body with wire wrapped around it).
- 48. Install C14, .01 uf (marked .01 or 103 or 10 nf).
- 49. Install C9, .01 uf (marked .01 or 103 or 10 nf).
- 50. Install D1, 1N4002 (large black epoxy body), notice placement of banded end.
- 51. Install L4, 100 uh inductor (brown-black-brown-silver).
- 52. Install Q3, 2N3053. Again observe the placement of the tab.
- 53. Install the slip-on metal heatsink on Q3. Insure that it does not contact adjacent components.

The assembly of your QRP transmitter is now completed. If you somehow skipped or improvised on our "halftime" instructions, NOW is the time to make proper preparations for testing and using your transmitter.

As we suggest in all Ramsey Electronics kit projects, now might also be an excellent time to take a break and then come back to re-check your connections, or have a friend go over them. Give extra attention to the work associated with Q2 and Q3. It's always easier to catch an error now, before final testing. Easier on the circuit parts, and. . . your ego!

### **INITIAL TESTS:**

Connect the following to the transmitter:

- Key, or keyer such as the Ramsey CW-7 CMOS keyer kit.
- 12-15 VDC power source capable of 500 ma output.
- Resonant antenna with in-line QRP wattmeter, or 50-ohm 2-watt dummy load.

For initial testing, your receiver may be connected through J2 of the transmitter or to a separate receiving antenna.

- Study the following sections regarding the DC power supply and RF power indication, and test your transmitter in accord with good amateur radio practice.

## **YOUR POWER SUPPLY AND RF OUTPUT POWER :**

For optimum performance, one or two volts of extra DC supply power can make quite a difference for this transmitter. For example, two lantern batteries in series, or 8 "D cells" obviously provide "about 12 volts" with sufficient current capability for casual operating. For maximum RF output power, use a supply of 14 to 15 volts DC. The easiest method is to place two fresh "D cells" in series with your power source, if a full 13.6-15 volts DC is not available.

If your supply voltage is in the 11-12 volt range, you can expect a 200 to 250 ma current flow and about one-half watt of the RF output power. With a solid 14 to 15 volt supply, you can expect about 400 ma current draw and up to one watt of RF output power.

## **VERIFYING TRANSMITTER RF OUTPUT:**

The most important thing to know is whether your transmitter is delivering some measurable and reassuring level of RF power to the antenna. The sound of the transmitter's keying in a receiver is of some help, but even the simplest crystal oscillator can send a fine signal into your neighbor's receiver, as we have already discussed.

Ideally, you have an small RF wattmeter, already inserted in the antenna line, capable of accurately measuring low output power in watts and even milliwatts! And it cost you less than what you paid for the transmitter kit. Right?

If not, we have a few other ideas for you, OK?

Saying the same thing one more way, we assume you already know that accurate, commercially built RF wattmeters cost much more than what you paid for this Ramsey transmitter kit.

Since this solid-state transmitter does not require tuning or adjustments, a periodic power output check-up should suffice. If you do not own or have access to a low-level RF power meter, use a trick that is decades old, the common flashlight or panel bulb. All you need to know is the basic differences between bright, superbright, dim, unlit and burned out! Using such a bulb to check power output is also a satisfying way to put Ohm's Law to work. Your Radio Shack catalog specifies operating voltage and current in milliamperes for a variety of small replacement lamps. It could be worth your time to make up a simple plug-in "output tester" for your transmitter, a male RCA plug connected to a socket for the bulb of your choice or even soldered directly to the bulb.

Rf voltage levels in this transmitter can vary from 2 to 10 volts RMS depending on various factors. Typically, 1 watt power levels are achieved in 5-7 volts RMS volts range. A good test bulb for this level is the PR-4 flange-style

flashlight bulb or the type 243 bulb with screw-in body. Both are rated to give normal brilliance at 2.33 volts, drawing 270 milliamps of current. Using Ohm's Law  $P=IE$ , we see that normal brilliance requires 2.33 volts x .270 amperes for .62 watts of DC power consumption. We can conclude that even 1/2 watt or so of RF should light this bulb reasonably well. A type PR-12 bulb is suitable for checking RF outputs in the 1-3 watt range. Try it out!

Please remember, though, that a flashlight bulb does NOT present the proper load impedance to the transmitter output, so theoretical calculations based on the bulb's rating can only be approximate. For example, the PR-4 at full brilliance presents only an 8.2 ohm load to the transmitter.

If ANY flashlight bulb lights up when connected to the antenna jack of this transmitter, you can be satisfied that you have RF output power ROUGHLY comparable to the DC power rating of the bulb you are using. If you burn out your bulb, rejoice and put your rig on the air!

Amateur radio magazines and handbooks provide a variety of circuits for RF wattmeters and relative field-strength indicators, including methods of using your VOM as an indicating device. CQ magazine for March 1990 offers an article by KB4ZGC on how to make a highly accurate yet inexpensive dummy load and wattmeter capable of showing 1/10-watt differences in RF power.

## **MAXIMIZING RF POWER OUTPUT:**

Hopefully, the introductory discussion about the amount of power increase needed for significant boosts in RST reports will satisfy most users that good communication opportunities are afforded by the transmitter's QRP output. The simplest way to ensure maximum reasonable power output without component damage is to run the DC voltage in the 14 to 15 volt range, observing a maximum limit of +18VDC.

**IMPORTANT NOTE:** If you are experimenting with this transmitter and see a sudden and massive increase in power output and DC current, you have not reached the promised land or created a 25 watt transmitter! Sudden surges like that are a sure sign of amplifier self-oscillation. Kill the DC power supply immediately, because your Q3 RF power transistor has headed to self-destruction while probably interfering with every TV set in the neighborhood. A poorly matched antenna along with higher supply voltages is usually responsible for this occurring. Any prolonged "parasitic" emissions will also overheat and destroy the components in the Q4 keying circuit.

Please remember that modified PC boards are not eligible for factory repair service. We encourage experiments and improvements of basic Ramsey kits, but we ask that you first get the kit working as designed and understand it - before making ANY changes. We regretfully cannot offer any other guidance in modifying our kits. You're on your own, that's what experimenting is all about!

## **TRANS-RECEIVE OPERATION:**

If you plan to use this transmitter with a Ramsey HR-series direct conversion receiver for portable operation, it will be necessary to work out a receiver muting and keying sidetone circuit. A matching companion to your transmitter is the new Ramsey CW-7 CMOS Keyer, with built-in sidetone.

This transmitter is an ideal travel companion to the growing number of portable shortwave broadcast receivers which feature digitally synthesized tuning, memories and other features, provided that a BFO for CW-SSB reception is one of the features. In most cases, transmitter keying can be monitored directly from such receivers without too much overload, though it may be necessary to rig a simple switch to mute or attenuate the audio or short the antenna input to ground while transmitting.

## **THE RAMSEY ELECTRONICS CASE, KNOB & HARDWARE OPTION:**

Your finished transmitter can be installed in a variety of enclosures of your own design and choosing. You might be planning to combine several Ramsey circuit kit boards in a single enclosure. Use of the inexpensive and attractive Ramsey case and knob set will give your unit that nice finished look and increase its resale value. These sturdy black instrument cases are supplied with printed overlays on front and rear panels, knobs, rubber feet and mounting screws.

## **OTHER ENCLOSURE RECOMMENDATIONS:**

While we believe that the Ramsey enclosure and knob option is a fine value for finishing off your Ramsey receiver or transmitter, we are happy to give you a couple of additional suggestions and our reasons for them. If your first goal is economy and rugged portability, you will find that the circuit board can be mounted nicely in a standard VHS videotape storage box, which also gives room for storing cables, a small homemade keyer, etc. The controls are easily mounted at one end of such a box. It may be necessary to cut away the molded posts which secure the tape itself. These storage boxes come in several styles, so pick one which truly looks practical as a project enclosure. To accomplish RF shielding, the most economical metal enclosure nicely suited for Ramsey amateur kit board is Radio Shack No. 270-253A. This metal utility cabinet can accommodate both a receiver and transmitter board, plus speaker, with room for various refinements you might like to add.

## **NOTE ON CHOOSING, ORDERING CRYSTALS:**

When ordering crystals for Ramsey QRP transmitters, specify 32 picofarad load capacitance, parallel resonance, HC-6/U or HC-18/U holder, although virtually any crystal will work. The back of Ham magazines have ads for many different crystal suppliers (one source is JAN Crystals, 1-800-JAN-XTAL), any of whom are excellent. A variety of crystal styles may be used, but do not expect to get satisfactory output and keying from surplus crystals in the old WW-II, FT-243 holders which may have been opened and modified over the years.

## **FINAL CONSIDERATIONS:**

Our earlier discussion of how a watt of RF output can indeed offer satisfying communications has several presuppositions:

1. A resonant antenna (dipole or quarter-wave vertical)
2. Good quality coaxial feedline and connectors
3. An effective earth ground

We cannot expect good results from low levels of RF output if the power gets wasted in lousy coax, corroded connections, or poor antennas. However, you also will be interested to know that test QSO's, including DX, were made with this Ramsey transmitter using both a mobile whip antenna and simple dipole on the balcony of a condo building.

If you elect to use an antenna tuner, it is extremely important that you understand exactly how to use tuners and what they can and cannot do. A watt of RF can easily become lost in an incorrectly adjusted antenna matching device. The whole idea of this transmitter is to keep things simple and economical, so we cannot overemphasize the priority of a clean, efficient connection of the transmitter output to a resonant antenna.

## **TROUBLESHOOTING GUIDE:**

To put it as kindly as possible, the operations of Ramsey QRP transmitters have been field-checked to such an extent that we can assure you that the only cause of malfunction will be defective or incorrectly installed components.

If the transmitter does not work, the first step is to recheck ALL assembly steps and the quality of all solder connections. In addition, check those too obvious things we like to take for granted: cables and connectors, polarity of the DC supply.

If the oscillator stage just does not work at all after thorough checking, it is helpful to check your crystal(s) in a test oscillator or other transmitter.

Common trouble spots include:

- Incorrect orientation of transistors
- Incorrect installation of diodes
- Incorrect selection of inductors
- Incorrect selection of frequency-dependent capacitors

# **The Ramsey Kit Warranty**

**Please read carefully BEFORE calling or writing in about your kit. Most problems can be solved without contacting the factory.**

Notice that this is not a "fine print" warranty. We want you to understand your rights and ours too! All Ramsey kits will work if assembled properly. The very fact that your kit includes this new manual is your assurance that a team of knowledgeable people have field-tested several "copies" of this kit straight from the Ramsey Inventory. If you need help, please read through your manual carefully, all information required to properly build and test your kit is contained within the pages!

**1. DEFECTIVE PARTS:** It's always easy to blame a part for a problem in your kit, Before you conclude that a part may be bad, thoroughly check your work. Today's semiconductors and passive components have reached incredibly high reliability levels, and it's sad to say that our human construction skills have not! But on rare occasions a sour component can slip through. All our kit parts carry the Ramsey Electronics Warranty that they are free from defects for a full ninety (90) days from the date of purchase. Defective parts will be replaced promptly at our expense. If you suspect any part to be defective, please mail it to our factory for testing and replacement. Please send only the defective part(s), not the entire kit. The part(s) MUST be returned to us in suitable condition for testing. Please be aware that testing can usually determine if the part was truly defective or damaged by assembly or usage. Don't be afraid of telling us that you 'blew-it', we're all human and in most cases, replacement parts are very reasonably priced.

**2. MISSING PARTS:** Before assuming a part value is incorrect, check the parts listing carefully to see if it is a critical value such as a specific coil or IC, or whether a RANGE of values is suitable (such as "100 to 500 uF"). Often times, common sense will solve a mysterious missing part problem. If you're missing five 10K ohm resistors and received five extra 1K resistors, you can pretty much be assured that the '1K ohm' resistors are actually the 'missing' 10 K parts ("Hum-m-m, I guess the 'red' band really does look orange!") Ramsey Electronics project kits are packed with pride in the USA. If you believe we packed an incorrect part or omitted a part clearly indicated in your assembly manual as supplied with the basic kit by Ramsey, please write or call us with information on the part you need and proof of kit purchase

### **3. FACTORY REPAIR OF ASSEMBLED KITS:**

To qualify for Ramsey Electronics factory repair, kits MUST:

1. NOT be assembled with acid core solder or flux.
2. NOT be modified in any manner.
3. BE returned in fully-assembled form, not partially assembled.
4. BE accompanied by the proper repair fee. No repair will be undertaken until we have received the MINIMUM repair fee (1/2 hour labor) of \$25.00, or authorization to charge it to your credit card account.
5. INCLUDE a description of the problem and legible return address. DO NOT send a separate letter; include all correspondence with the unit. Please do not include your own hardware such as non-Ramsey cabinets, knobs, cables, external battery packs and the like. Ramsey Electronics, Inc., reserves the right to refuse repair on ANY item in which we find excessive problems or damage due to construction methods. To assist customers in such situations, Ramsey Electronics, Inc., reserves the right to solve their needs on a case-by-case basis.

The repair is \$50.00 per hour, regardless of the cost of the kit. Please understand that our technicians are not volunteers and that set-up, testing, diagnosis, repair and repacking and paperwork can take nearly an hour of paid employee time on even a simple kit. Of course, if we find that a part was defective in manufacture, there will be no charge to repair your kit (But please realize that our technicians know the difference between a defective part and parts burned out or damaged through improper use or assembly).

**4. REFUNDS:** You are given ten (10) days to examine our products. If you are not satisfied, you may return your unassembled kit with all the parts and instructions and proof of purchase to the factory for a full refund. The return package should be packed securely. Insurance is recommended. Please do not cause needless delays, read all information carefully.

## 30 METER CW TRANSMITTER KIT

### Quick Reference Page Guide

Introduction .....	4
Understanding power levels .....	5
Circuit description .....	8
Parts list .....	9
Schematic Diagram .....	10
Parts layout diagram .....	11
Assembly instructions .....	12
Initial tests .....	17
Troubleshooting guide .....	22
Ramsey kit warranty .....	23

### REQUIRED TOOLS

- Soldering Iron Ramsey WLC100
- Thin Rosin Core Solder Ramsey RTS12
- Needle Nose Pliers Ramsey MPP4 or RTS05
- Small Diagonal Cutters Ramsey RTS04
- <OR> Technician's Tool Kit TK405

### TOTAL SOLDER POINTS

159

### ESTIMATED ASSEMBLY TIME

**Beginner.....4.7 hrs**  
**Intermediate.....2.7 hrs**  
**Advanced.....2.0 hrs**

### ADDITIONAL SUGGESTED ITEMS

- Holder for PC Board/Parts Ramsey HH3
- Desoldering Braid Ramsey RTS08
- Digital Multimeter Ramsey M133

Price: \$5.00

Ramsey Publication No. QRP30

Assembly and Instruction manual for:

***RAMSEY MODEL NO. QRP30***

***30 METER CW TRANSMITTER KIT***



**RAMSEY ELECTRONICS, INC.**

**590 Fishers Station Drive**

**Victor, New York 14564**

**Phone (585) 924-4560**

**Fax (585) 924-4555**

**www.ramseykits.com**