

KWM-380 TRANSCEIVER (622-5093-001, -101)
HF-380 TRANSCEIVER (622-3580-001, -101)

SERVICE INFORMATION LETTER 1-88

PRODUCT IMPROVEMENT
RECEIVER-EXCITER CIRCUIT CARD A3 (638-6908-002)

PURPOSE:

To prevent receiver front end filter select diodes A3CR800 thru CR807 from being damaged or blown by T/R relay A2A2K1 switching transients or large voltage spikes produced at the receive input.

EQUIPMENT	APPLIES TO SERIAL NUMBER	PRODUCTION CUT-IN SERIAL NUMBER
KWM-380 622-5093-001, -101	All units	NONE
HF-380 622-3580-001, -101	All units	1311

SYMPTOM:

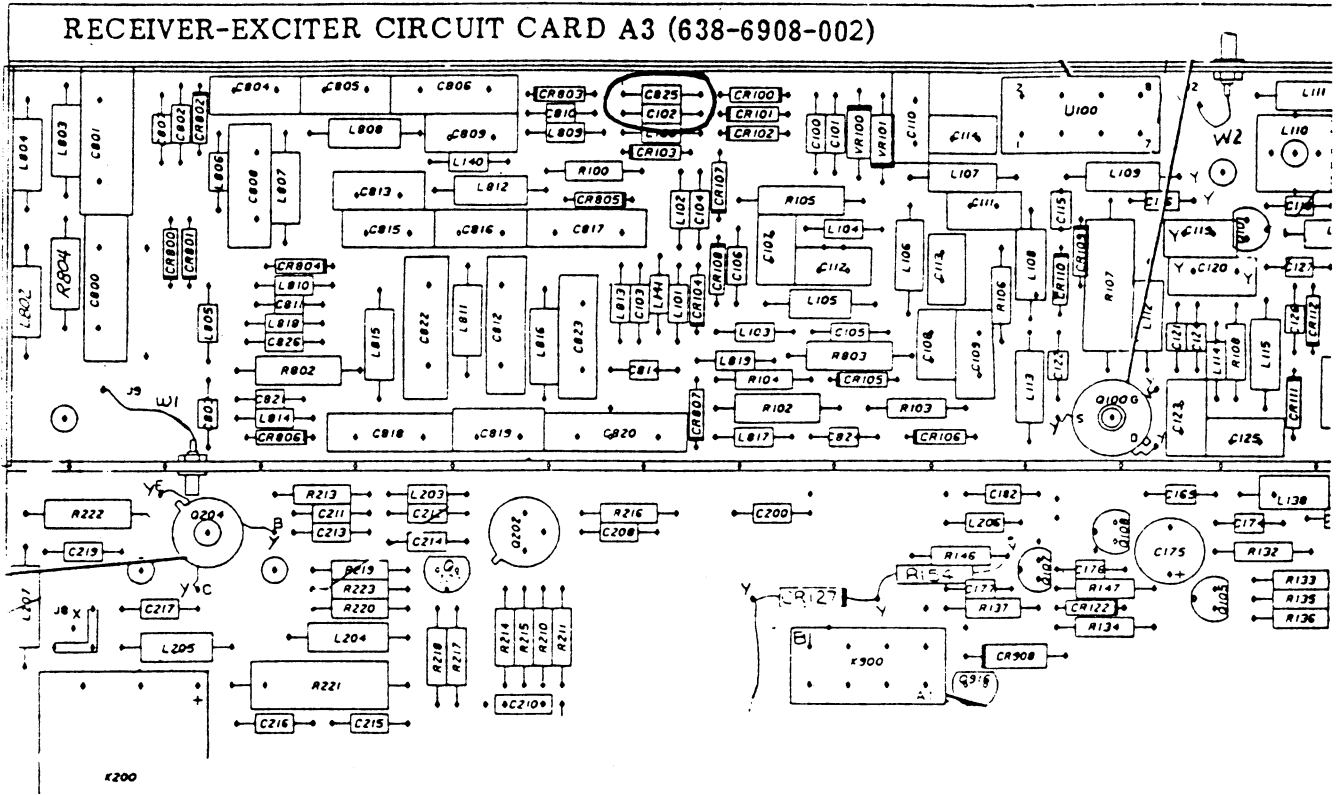
Loss-of or degraded receive signals over that portion of the HF spectrum covered by one or more of the selectable receive front end filters.

SOLUTION:

Electrically move the receiver front end limiter circuit ahead of the selectable receive high-pass filters and steering diodes.

1. Remove dust cover to gain access to the A3 Receiver/Exciter circuit card on bottom of chassis.
2. Remove shield cover over receiver front-end circuitry.
3. Remove capacitor C102 and discard.
4. Remove right lead of ~~C285~~⁸²⁵ from circuit board and solder into left hole of former C102. Reposition ~~C285~~⁸²⁵ if necessary. Be careful not to push lead or solder through hole too far or a short could occur to the RF shield on the underside of board.
5. Add a piece of #30 insulated bus wire from right hole where ~~C285~~⁸²⁵ was removed to the top of C802. Place bus on circuit board along edge of shield.
6. Replace covers after checking receiver for proper operation.

CIRCUIT BOARD BEFORE MODIFICATION



CIRCUIT BOARD AFTER CHANGES

