

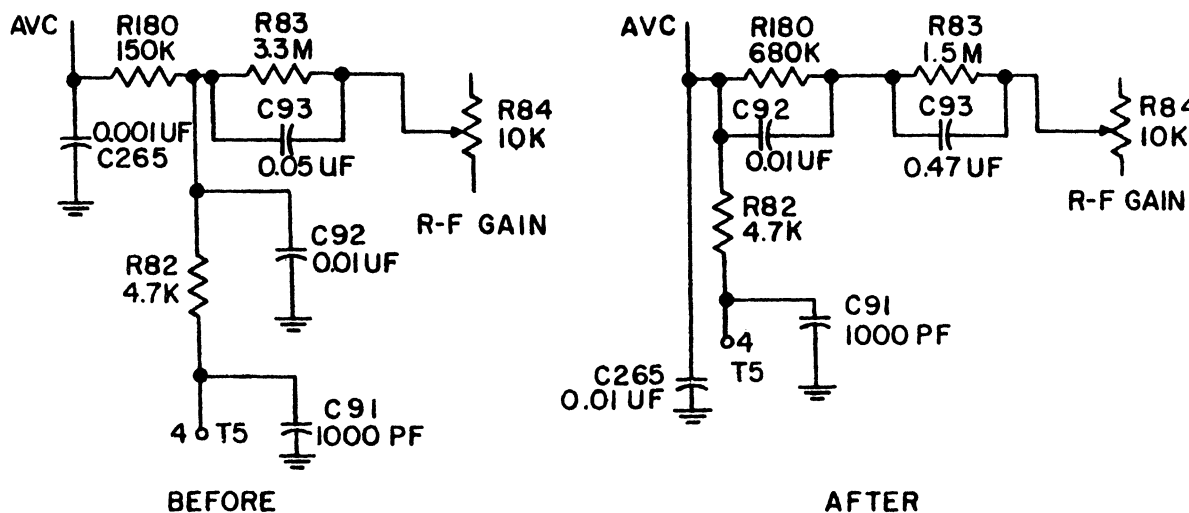


AMATEUR SERVICE AGENCY BULLETIN 1013 Cedar Rapids, Iowa telephone : area code 319, 365-8411 cable : COLINRAD DATE: 3-18-64

EQUIPMENT TYPE: KWM-2/KWM-2A  
 SUBJECT: NOISE ACTIVATION OF AGC SYSTEM

The AGC System in new production units has been improved. This change reduces a tendency, in some transceivers, for the AGC to over-shoot on noise pulses.

The value of capacitors C93 and C265 and resistors R83 and R180 are changed. The circuit in which these components are used has also been changed.



The instruction manual parts list may be changed as follows:

ITEM	DESCRIPTION	COLLINS PART NUMBER
C93	Capacitor, 0.47 uf, ceramic	913-3804-00
C265	Capacitor, .01 uf, ceramic	913-3013-00
R83	Resistor, 1.5 meg $\pm 10\%$ , 1/2 watt fixed composition	745-1485-00
R180	Resistor, 680K $\pm 10\%$ , 1/2 watt fixed composition	745-1471-00

CONTENTS OF AND INFORMATION IN THIS AMATEUR SERVICE AGENCY BULLETIN ARE CONFIDENTIAL AND SHOULD BE RECOGNIZED AS A SERVICE TO THE AMATEUR THROUGH THE SERVICE AGENCY.