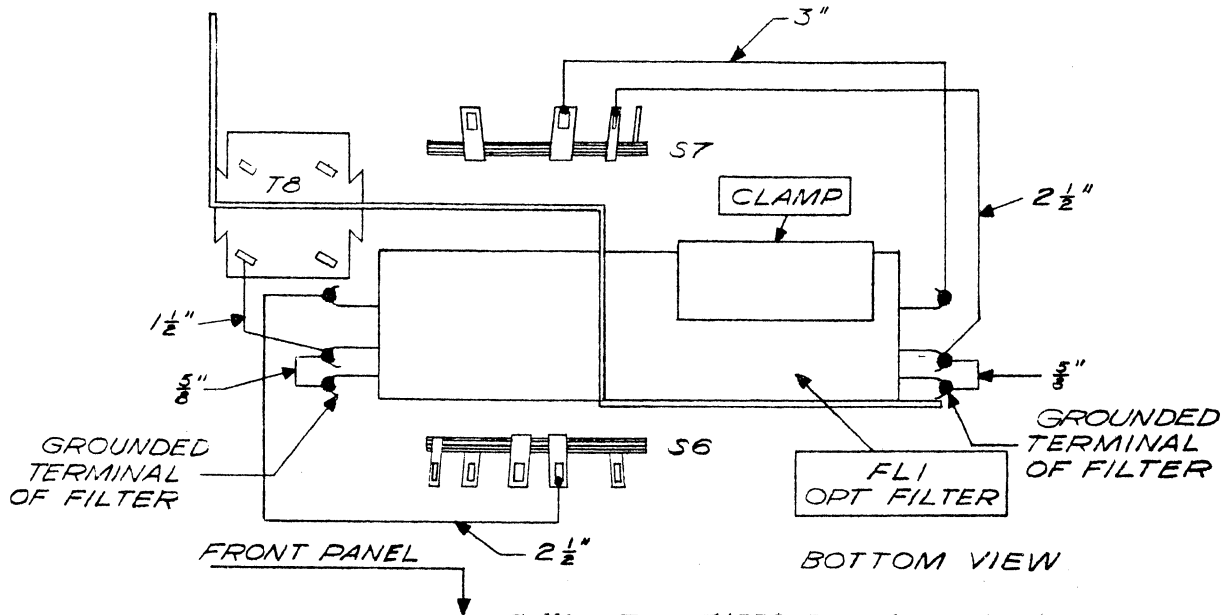


75S-1 CW FILTER INSTALLATION

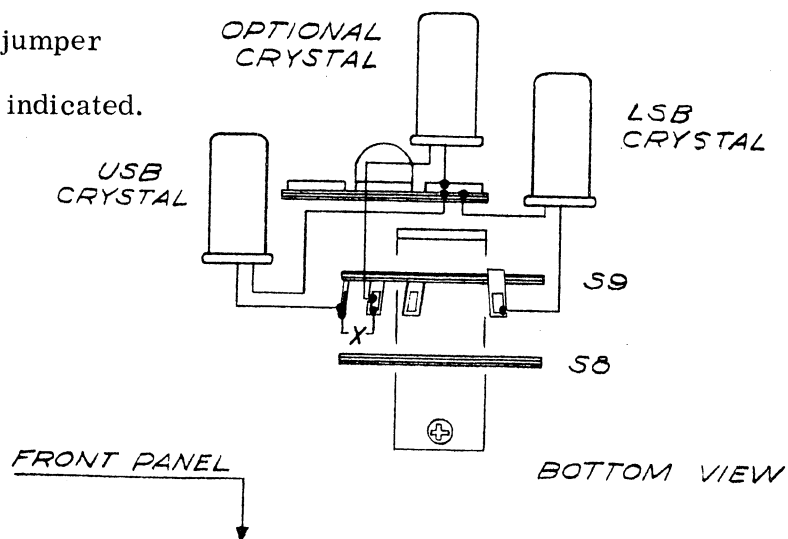
- STEPS: 1. Loosen filter clamp.
2. Slip filter into position and tighten clamp.
3. Wire as indicated with #22 bus using sleeving as necessary.



Collins Type F455Q-5 Mechanical Filter, part number 526 9367 00 (Install in either direction)

75S-1 OPTIONAL CW BFO CRYSTAL INSTALLATION

- STEPS: 1. Clip or remove jumper marked "X."
2. Wire crystal as indicated.



Optional Crystal Type 455.8 kc, part number 290 8707 00