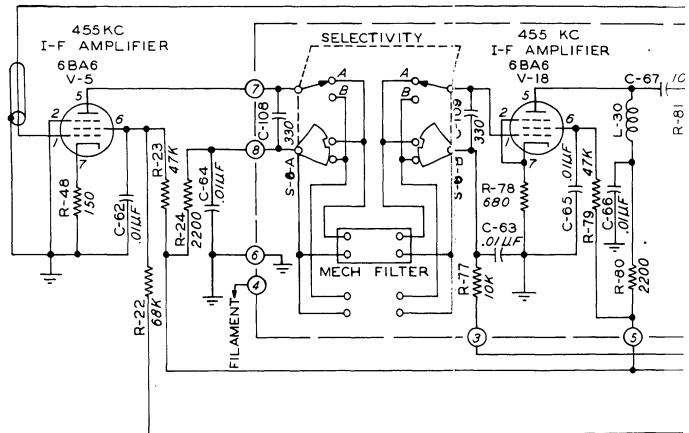
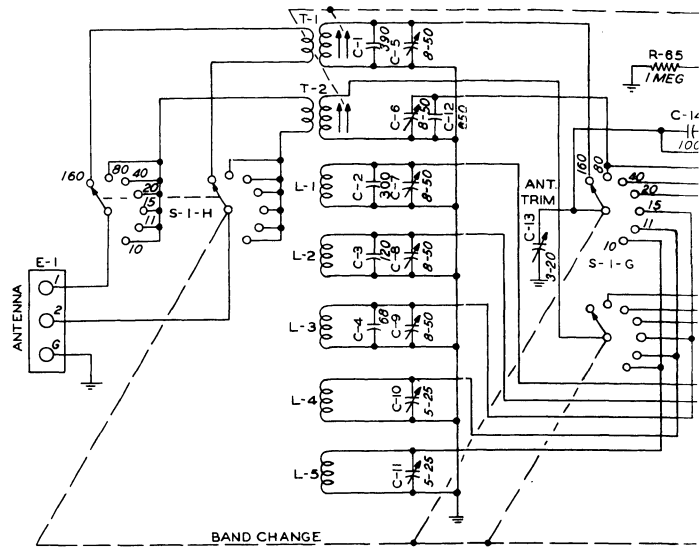


Figure 5-6. 75A-3 Receiver, Schematic Diagram



NOTES:
 1. UNLESS OTHERWISE INDICATED, ALL RESISTANCE VALUES ARE IN OHMS; ALL CAPACITANCE VALUES ARE IN MICROMICROFARADS.
 2. TAP SWITCHES ARE SHOWN WITH ROTORS IN EXTREME COUNTER-CLOCKWISE POSITION.
 * ASTERISK INDICATES A CAPACITOR CHOSEN TO FULFILL REQUIREMENTS OF INDIVIDUAL OSCILLATOR

