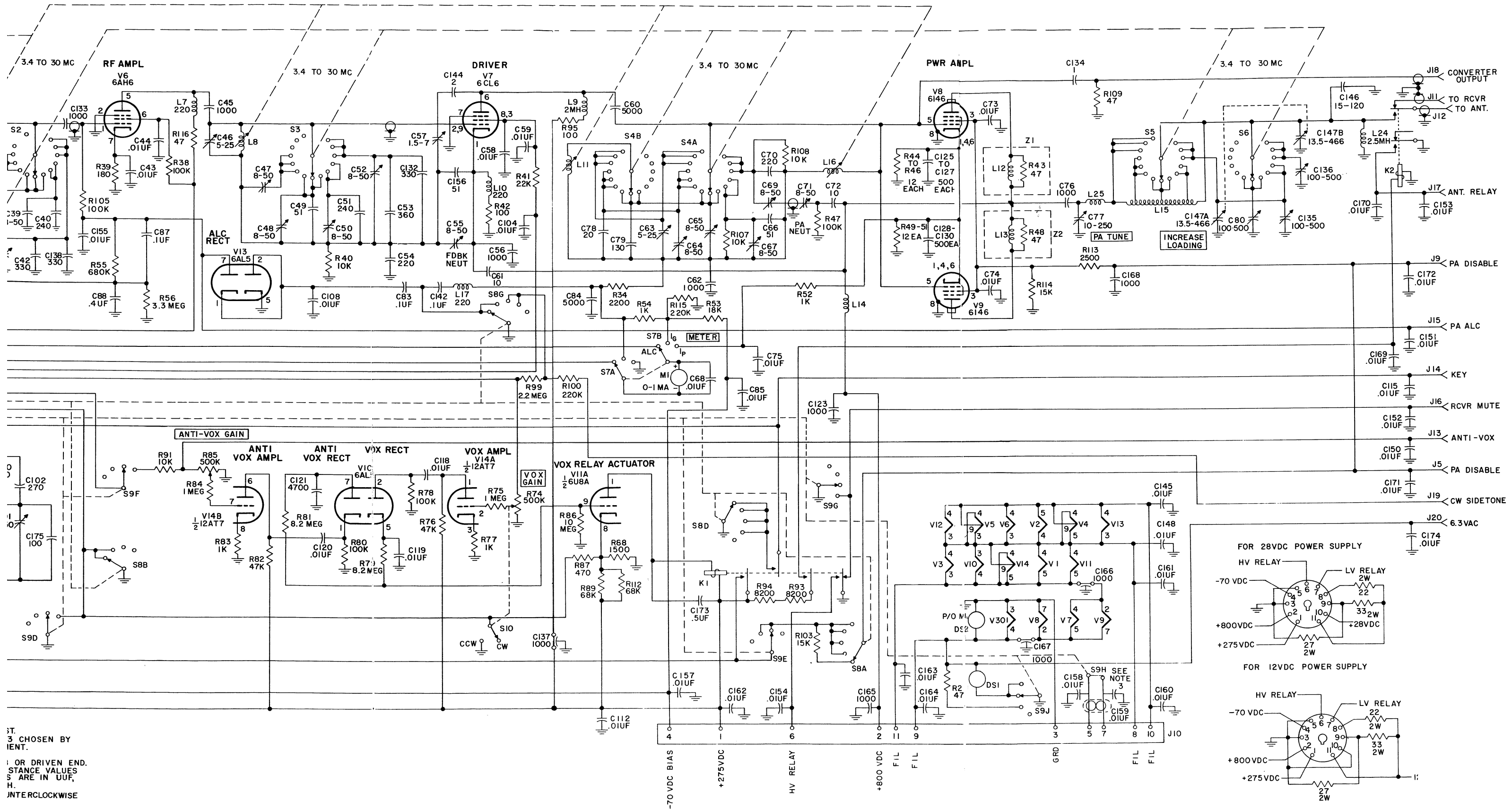
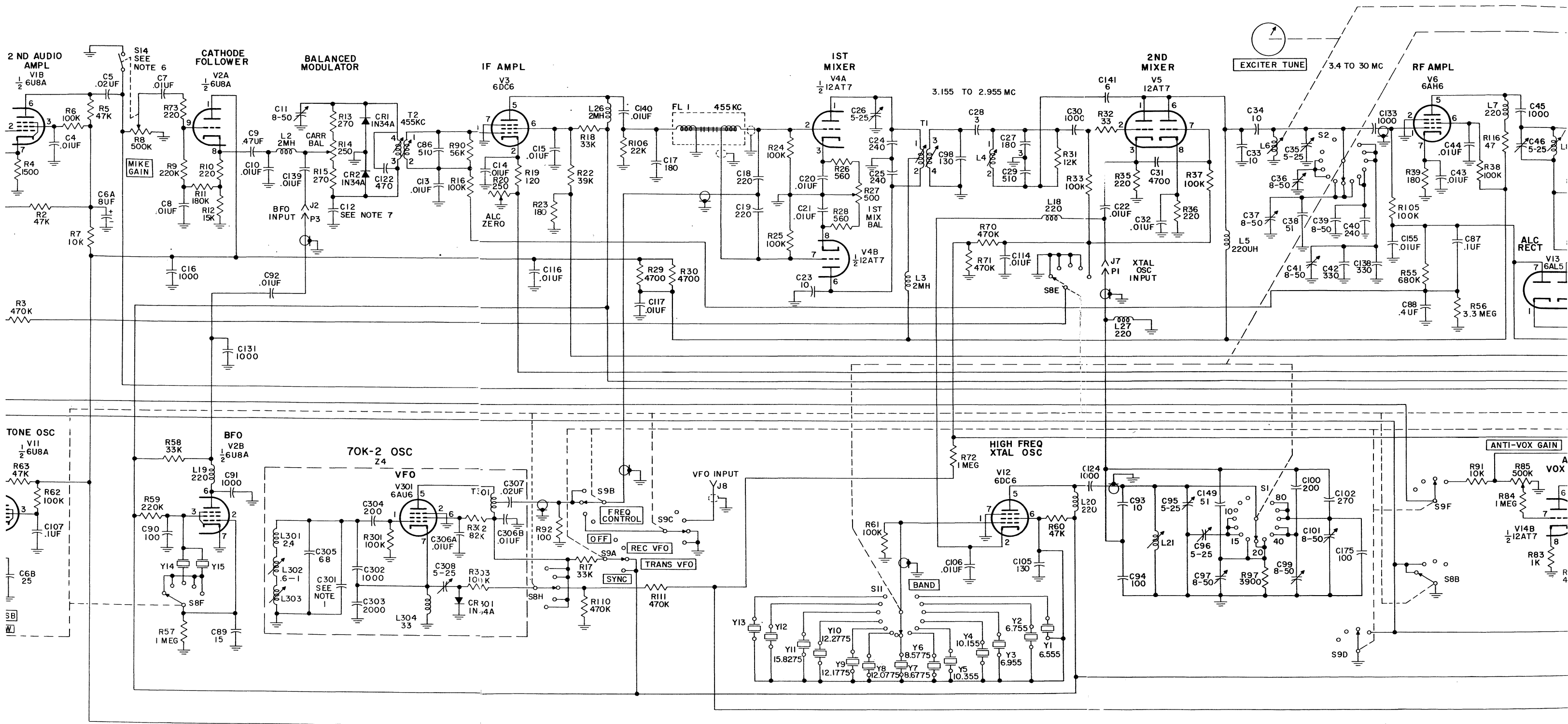


SECTION VII ILLUSTRATIONS

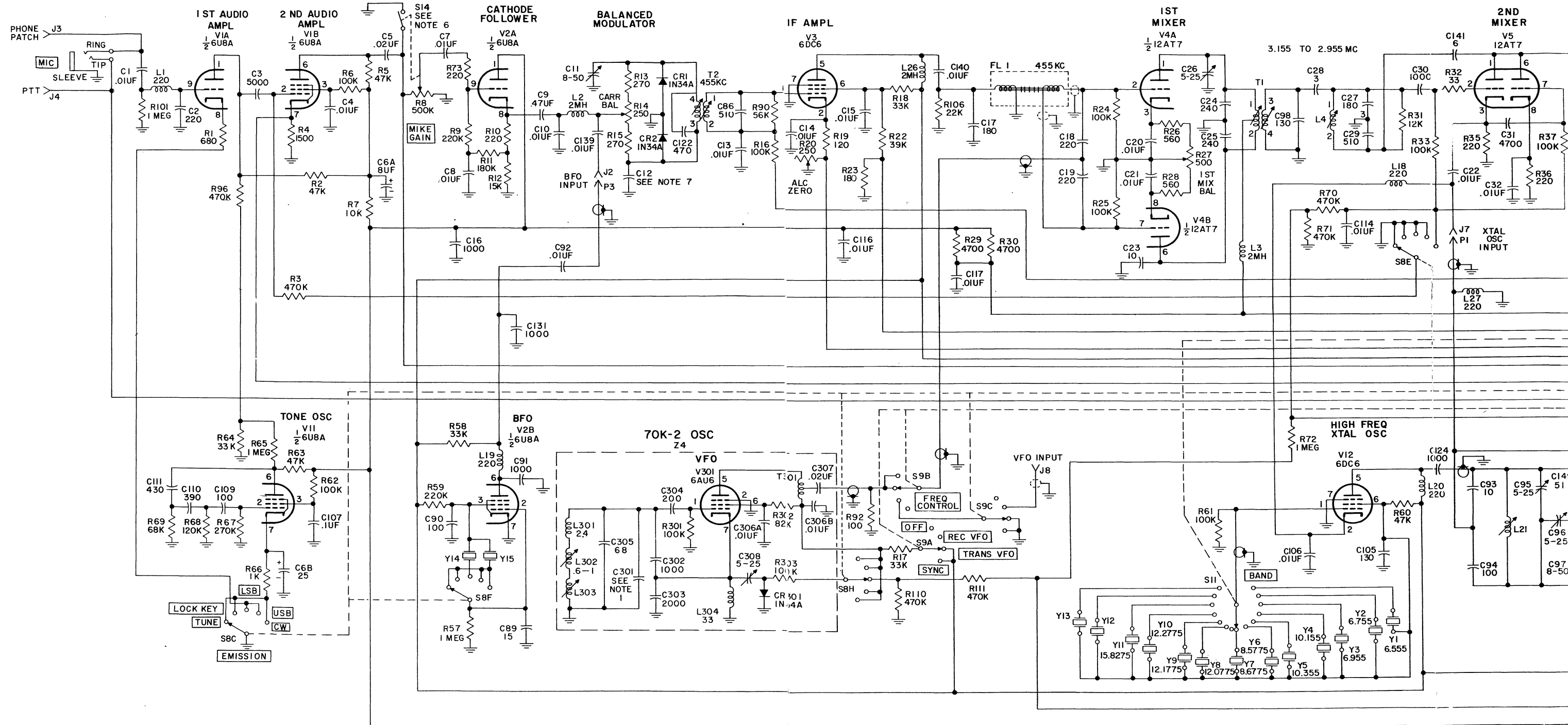


3 CHOSEN BY
IENT.
OR DRIVEN END.
STANCE VALUES
S ARE IN UUF,
H.
INTERCLOCKWISE

Figure 7-1. 32S-1 Transmitter, Schematic Diagram



- NOTES:
1. VALUE OF C301 SELECTED IN FINAL TEST.
 2. FREQUENCIES OF CRYSTALS Y12 AND Y13 CHOSEN BY CUSTOMER NOT FURNISHED WITH EQUIPMENT.
 3. SWITCH OPEN ONLY IN OFF POSITION.
 4. ALL SWITCHES ARE VIEWED FROM KNOB OR DRIVEN END.
 5. UNLESS OTHERWISE INDICATED ALL RESISTANCE VALUES ARE IN OHMS, ALL CAPACITANCE VALUES ARE IN UUF, AND ALL INDUCTANCE VALUES ARE IN UH.
 6. S14 IS CLOSED WHEN R8 IS IN MAXIMUM COUNTERCLOCKWISE POSITION.
 7. SELECTED IN PRODUCTION.



- NOTES:
1. VALUE OF C301 SE
 2. FREQUENCIES OF (CUSTOMER NOT FU
 3. SWITCH OPEN ONL
 4. ALL SWITCHES AF
 5. UNLESS OTHERWISE ARE IN OHMS AL AND ALL INDUCTA
 6. S14 IS CLOSED WHEN POSITION.
 7. SELECTED IN PRODU